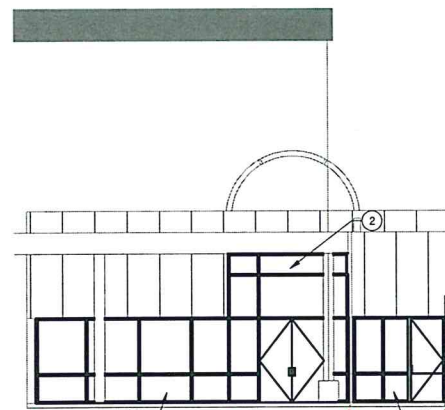
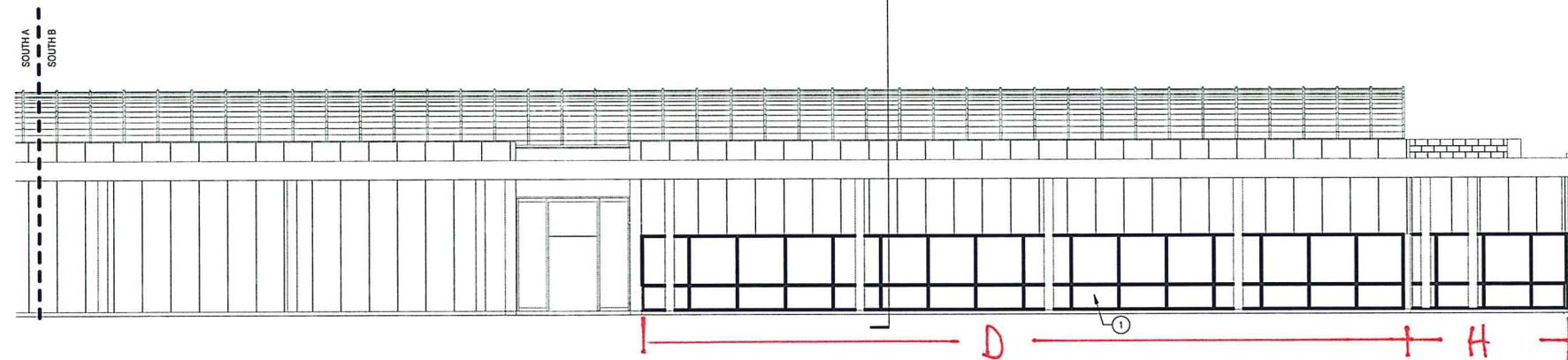


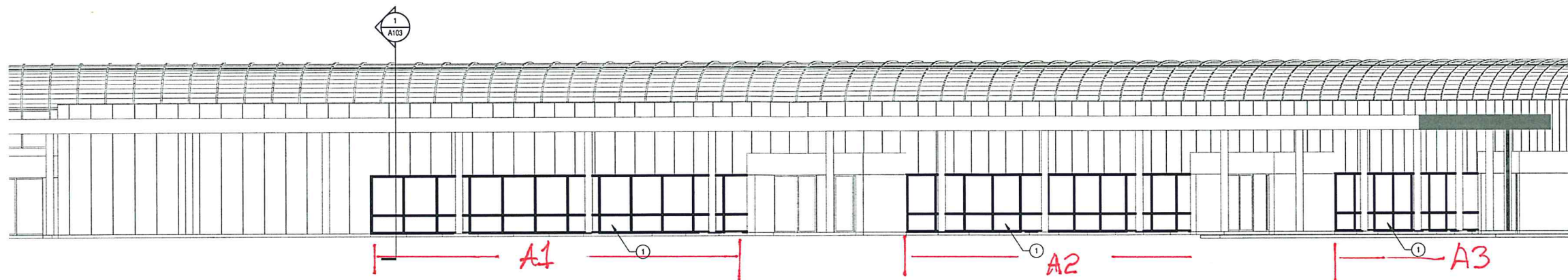
1 A102 SOUTH A ELEVATION  
1/8" = 1'-0"



3 A102 EAST ENTRANCE ELEVATION  
1/8" = 1'-0"

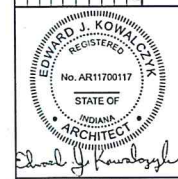


2 A102 SOUTH B ELEVATION  
1/8" = 1'-0"



4 A102 EAST ELEVATION  
1/8" = 1'-0"

REV	BY	DATE	DESCRIPTION



Edward J. Kowalczyk  
7-19-222

**JONES**  
**PETRELSKI**  
**ARCHITECTS**

Fort Wayne, IN  
P: 260-742-1321

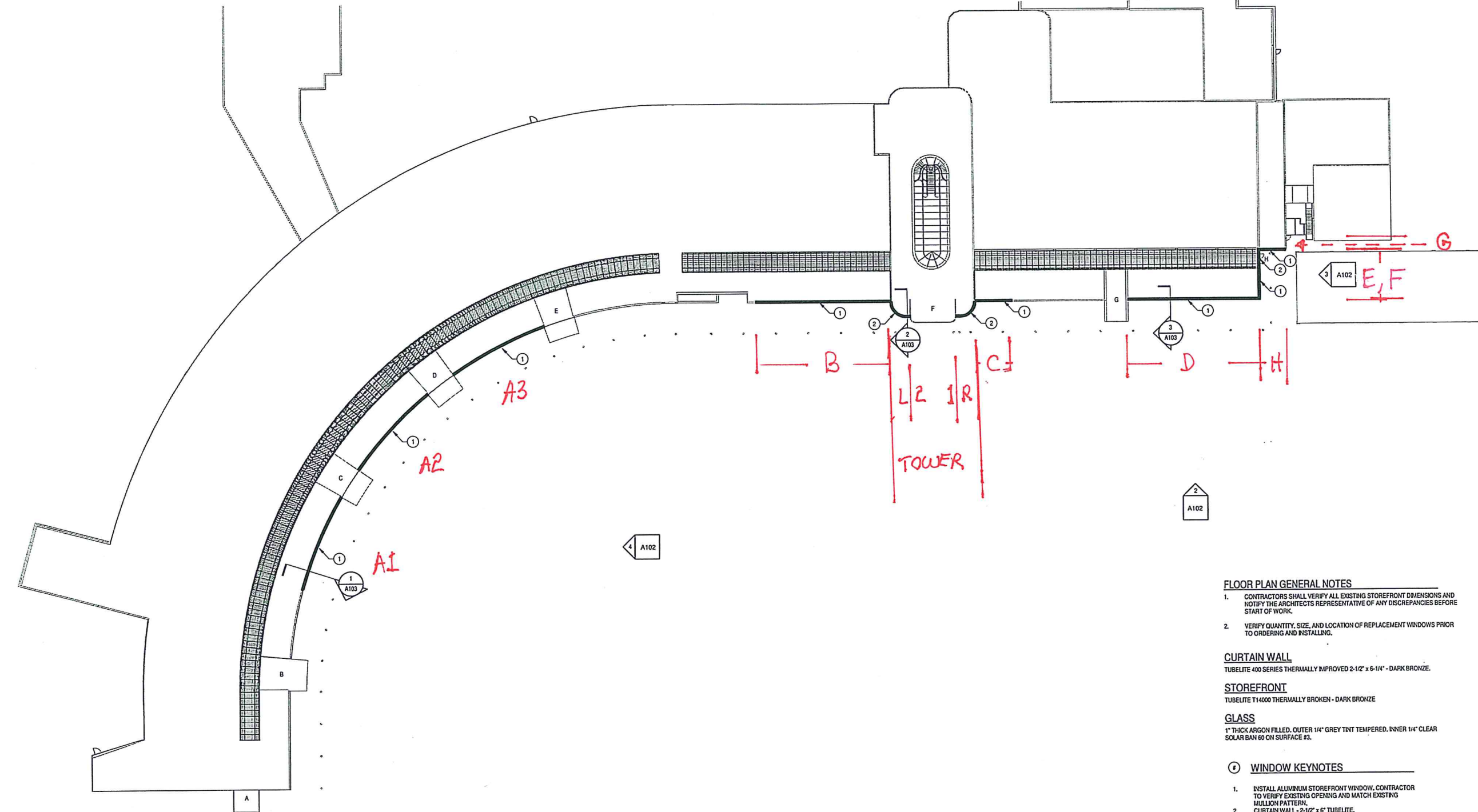
South Bend, IN  
P: 574-232-4988

Elkhart, IN  
P: 574-232-7762

SOUTH BEND AIRPORT EXTERIOR  
SOUTH BEND AIRPORT  
ELEVATIONS

DESIGNED BY:	Designer
REVIEWED BY:	Checker
DRAWN BY:	Author
DATE:	7/12/2022
JOB NUMBER:	2021-0365
SCALE:	1/8" = 1'-0"

A102



1 FLOOR PLAN  
A101 1" = 30'-0"

**FLOOR PLAN GENERAL NOTES**

1. CONTRACTORS SHALL VERIFY ALL EXISTING STOREFRONT DIMENSIONS AND NOTIFY THE ARCHITECTS REPRESENTATIVE OF ANY DISCREPANCIES BEFORE START OF WORK.
2. VERIFY QUANTITY, SIZE, AND LOCATION OF REPLACEMENT WINDOWS PRIOR TO ORDERING AND INSTALLING.

**CURTAIN WALL**  
TUBELITE 400 SERIES THERMALLY IMPROVED 2-1/2" x 6-1/4" - DARK BRONZE.

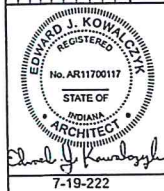
**STOREFRONT**  
TUBELITE T14000 THERMALLY BROKEN - DARK BRONZE

**GLASS**  
1" THICK ARGON FILLED, OUTER 1/4" GREY TINT TEMPERED, INNER 1/4" CLEAR SOLAR BAN 60 ON SURFACE #3.

**WINDOW KEYNOTES**

1. INSTALL ALUMINUM STOREFRONT WINDOW, CONTRACTOR TO VERIFY EXISTING OPENING AND MATCH EXISTING MULLION PATTERN.
2. CURTAIN WALL - 2-1/2" x 6" TUBELITE.

REV	DESCRIPTION	BY	DATE



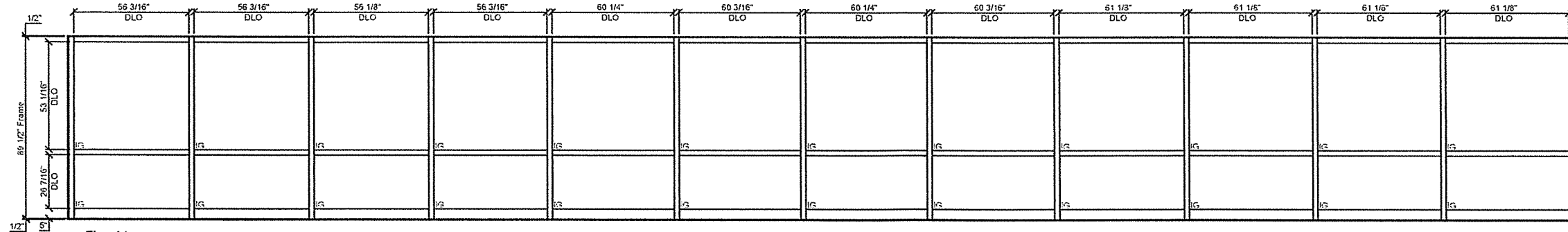
**J P R**  
JOHN E. S. PETRICKI  
RAFINSKI  
Fort Wayne, IN  
South Bend, IN  
Elkhart, IN  
p: 160.412.1332  
p: 574.331.4188  
p: 574.293.7162

SOUTH BEND AIRPORT EXTERIOR	FLOOR PLAN
SOUTH BEND AIRPORT	
DESIGNED BY: Designer	
REVIEWED BY: Checker	
DRAWN BY: Author	
DATE:	7/12/2022
JOB NUMBER:	2021-0365
SCALE:	As indicated
A101	

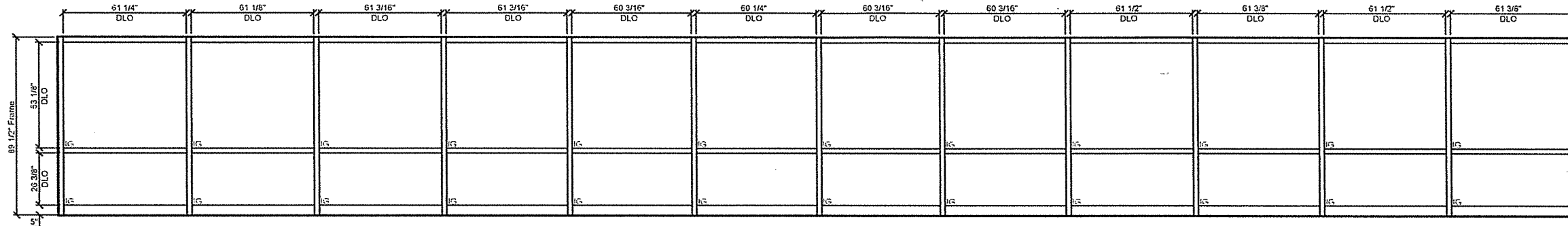
7/12/2022 1:45:00 PM



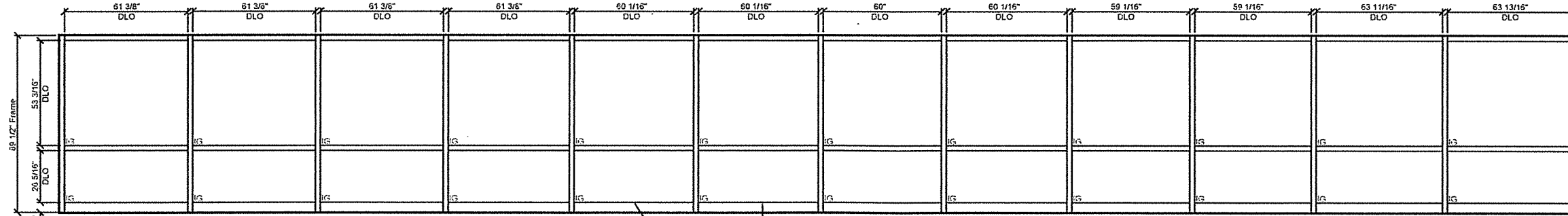




Elev: A1  
1-Thus  
Tubelite 400 Curtainwall



Elev: A2  
1-Thus  
Tubelite 400 Curtainwall



Elev: A3  
1-Thus  
Tubelite 400 Curtainwall

Existing Spandrel

OK  
VT.  
3/24/23

DATE	DESCRIPTION	Rev.	DATE
March 3, 2023	SUBMITTAL	1	March 3, 2023

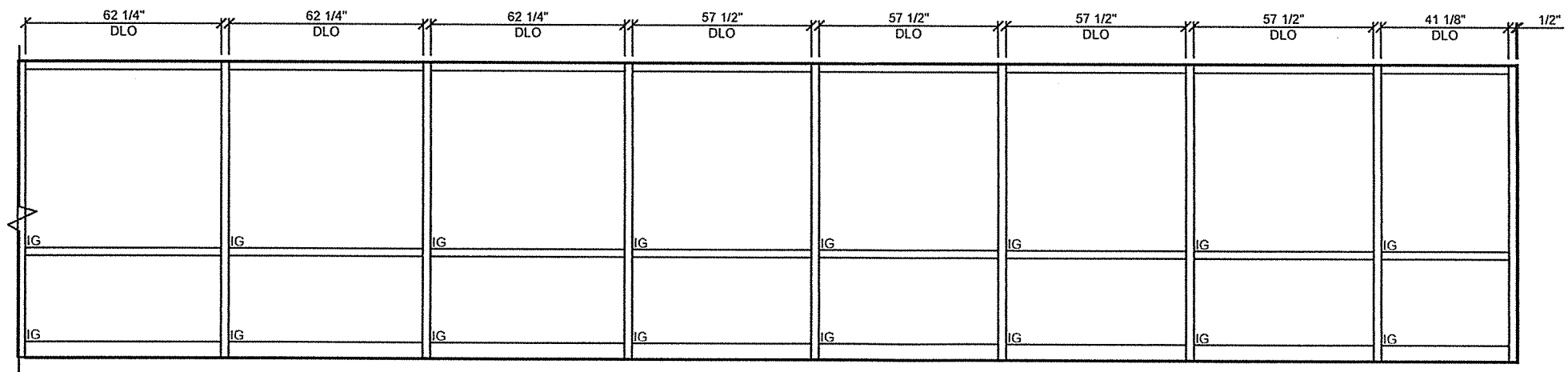
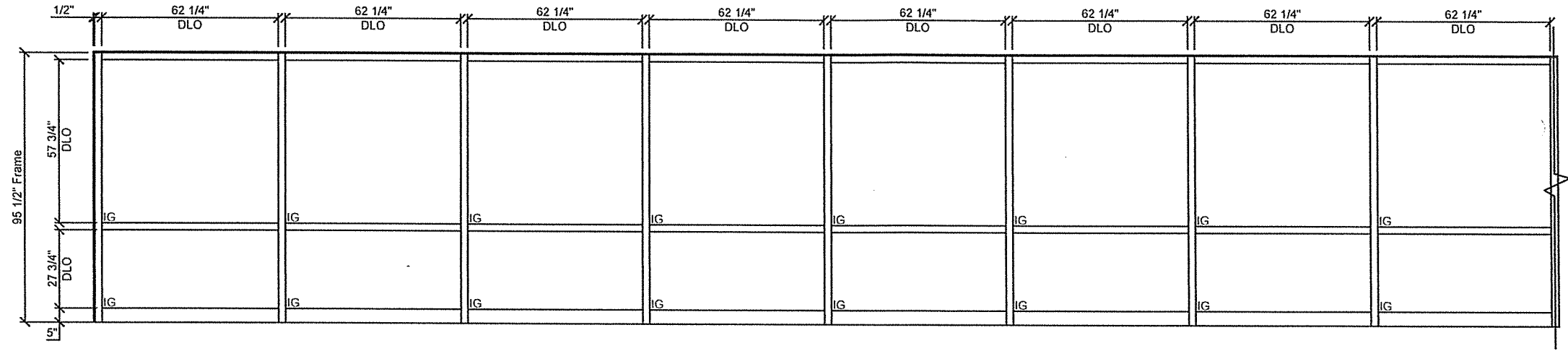
  

<b>PROJECT:</b>	South Bend Airport
<b>LOCATION:</b>	South Bend, IN
<b>General Contractor/Manager:</b>	N/A
<b>Architect:</b>	JPR
<b>FRAMING SYSTEM:</b>	Tubelite 400 Series Curtainwall - 2 1/2" x 6"

<b>DRAWN BY:</b>	Kirk W. Vollmer	<b>DATE:</b>	March 3, 2023
<b>REVIEWED BY:</b>	Patrick Wemiz	<b>DATE:</b>	March 3, 2023
<b>Scale:</b>	3/16" = 1'		
<b>SHEET NO.:</b>	2		



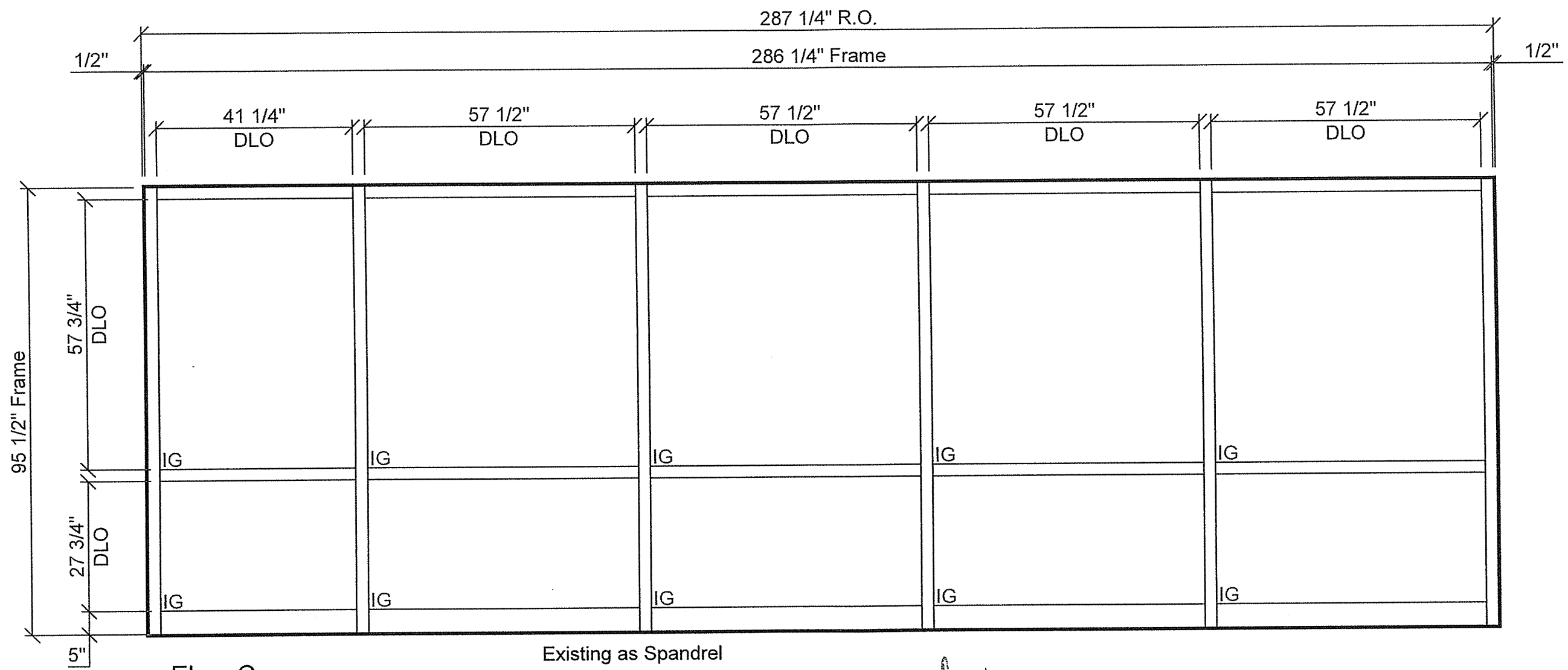


Elev: B  
 1-Thus  
 Tubelite 400 Curtainwall

*OK  
 JT  
 3/29/23*

DATE:	PROJECT:	DESCRIPTION	Rev.	Date
March 3, 2023	South Bend Airport		1	March 3, 2023
March 3, 2023	South Bend, IN	SUBMITTAL		
	General Contractor/Manager:			
	N/A			
	Architect:			
	JPR			
	FRAMING SYSTEM:			
	Tubelite 400 Series Curtainwall - 2 1/2" x 6"			

DRAWN BY: Kirk W. Vollmer  
 REVIEWED BY: Patrick Warmtz  
 Scale: 1/4" = 1'  
 SHEET NO: 3

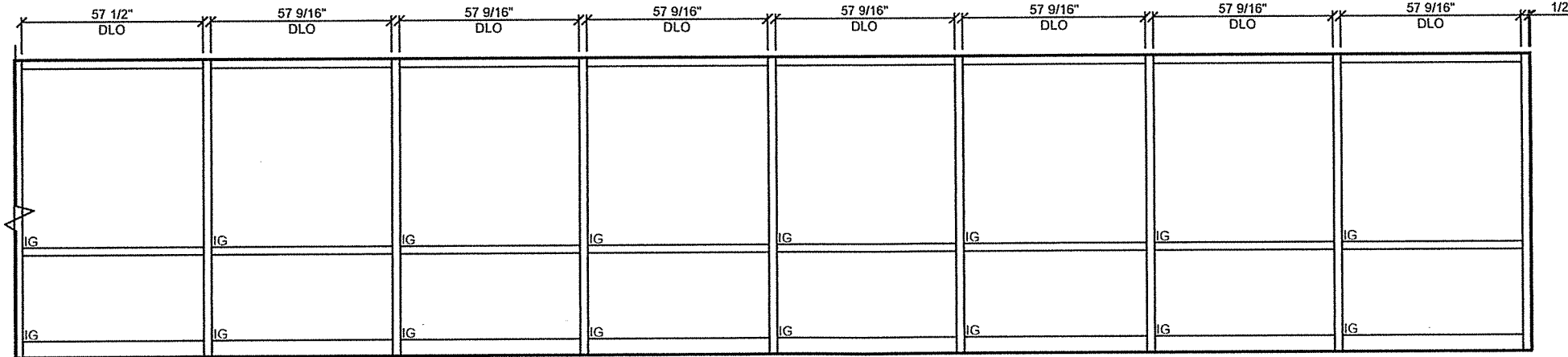
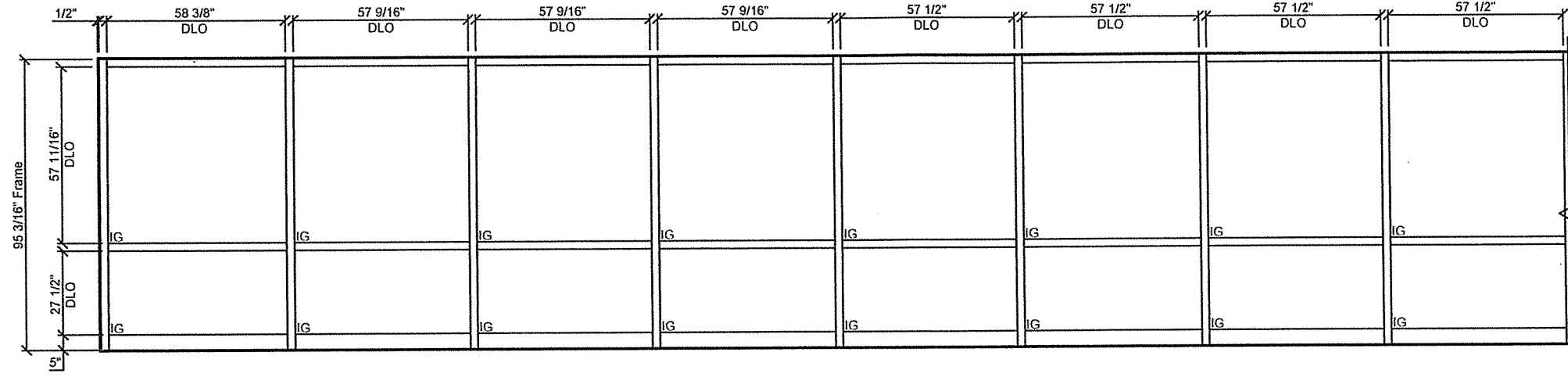


Elev: C  
 1-Thus  
 Tubelite 400 Curtainwall

Existing as Spandrel  
*I believe you said they wanted vision*

*OK  
 JT  
 3/24/23*

DATE: March 3, 2023	PROJECT: South Bend Airport	Rev.	DESCRIPTION	Date
DESIGNED BY: Patrick Wermiz	LOCATION: South Bend, IN	1	SUBMITTAL	March 3, 2023
Scale: 1/2" = 1'	General Contractor/Manager: N/A			
SHEET NO: 4	Architect: JPR			
	FRAMING SYSTEM: Tubelite 400 Series Curtainwall - 2 1/2" x 6"			



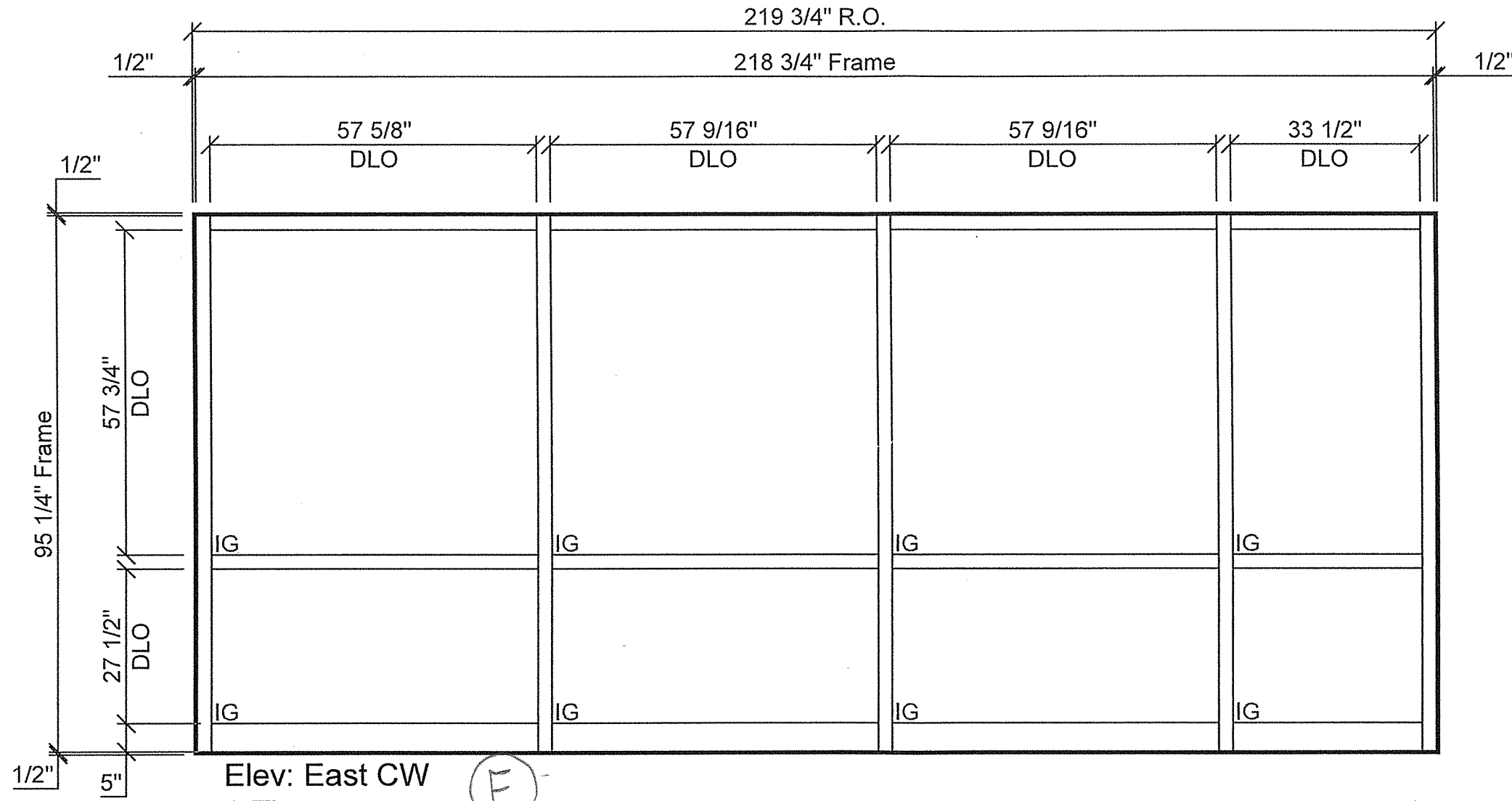
Elev: D - East  
 1-Thus  
 Tubelite 400 Curtainwall

OK  
 JT  
 3/29/23

DATE	PROJECT	DESCRIPTION	Rev.	Date
March 3, 2023	South Bend Airport		1	March 3, 2023
March 3, 2023	South Bend, IN	SUBMITTAL		
	General Contractor/Manager:			
	N/A			
	Architect:			
	JPR			
	FRAMING SYSTEM:			
	Tubelite 400 Series Curtainwall - 2 1/2" x 6"			

DRAWN BY: Krik W. Vollmer  
 DATE: March 3, 2023  
 REVIEWED BY: Patrick Wernitz  
 DATE: March 3, 2023  
 Scale: 1/4" = 1'  
 SHEET NO: 5





Elev: East CW  
 1-Thus  
 Tubelite 400 Curtainwall

(E)

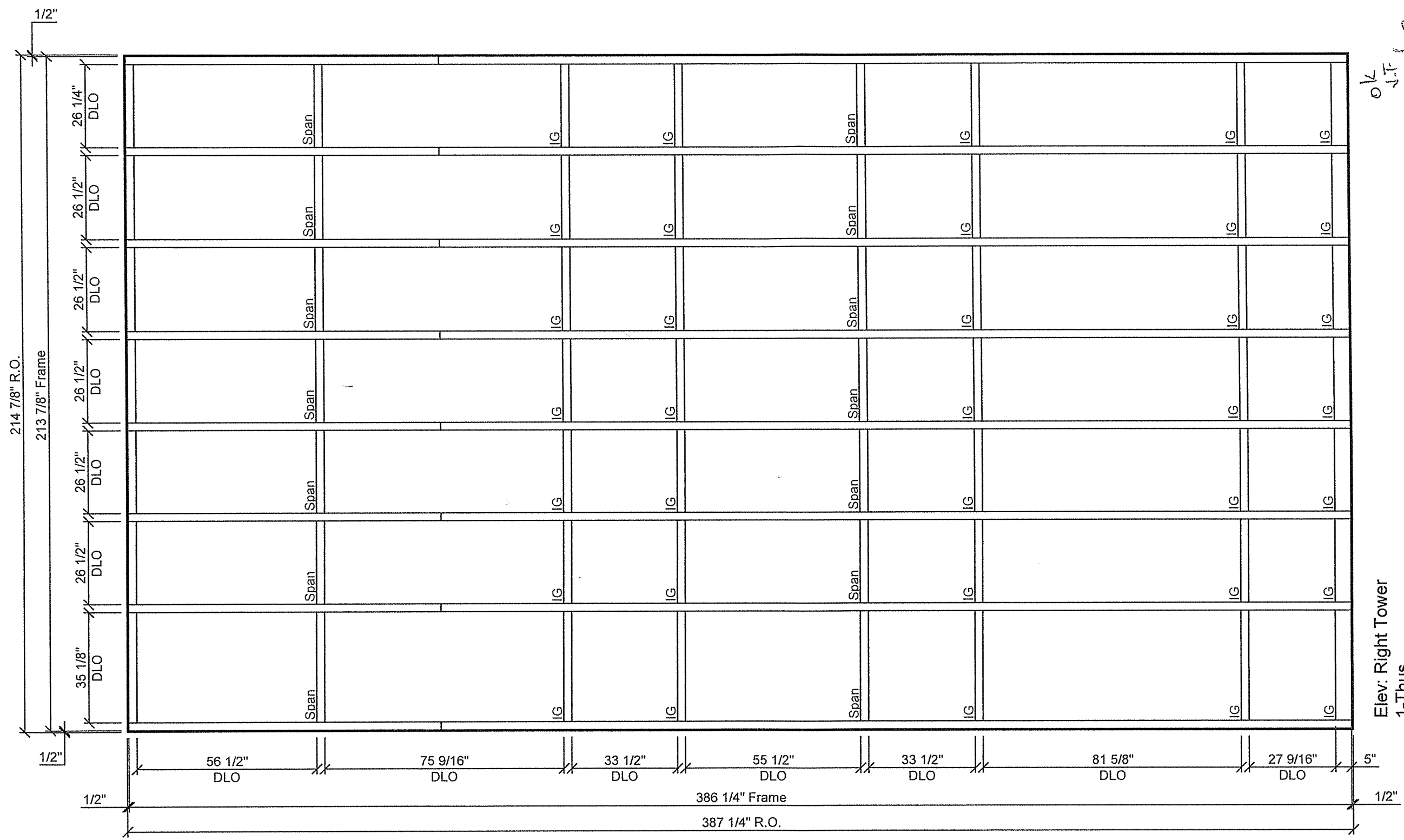
OK  
 JT.  
 3/29/23

Rev.	DESCRIPTION	Date
1	SUBMITTAL	March 3, 2023

DATE:	March 3, 2023	PROJECT:	South Bend Airport
REVIEWED BY:	Patrick Werniz	LOCATION:	South Bend, IN
DATE:	March 3, 2023	General Contractor/Manager:	N/A
Scale:	1" = 1'	Architect:	JPR
SHEET NO.:	6	FRAMING SYSTEM:	Tubelite 400 Series Curtainwall - 2 1/2" x 6"



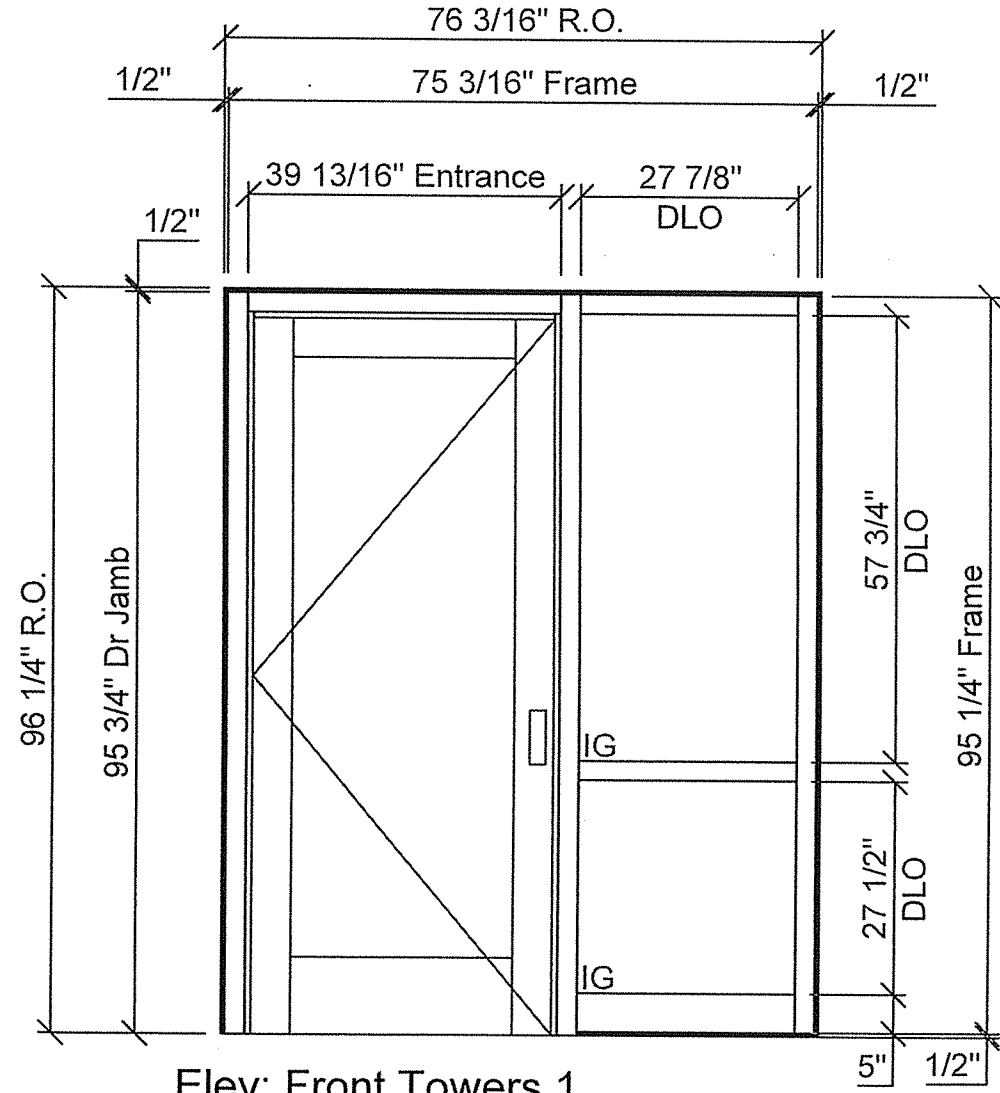


OK  
JF  
3/24/23

Elev: Right Tower  
1-Thus  
Tubelite 400 Curtainwall

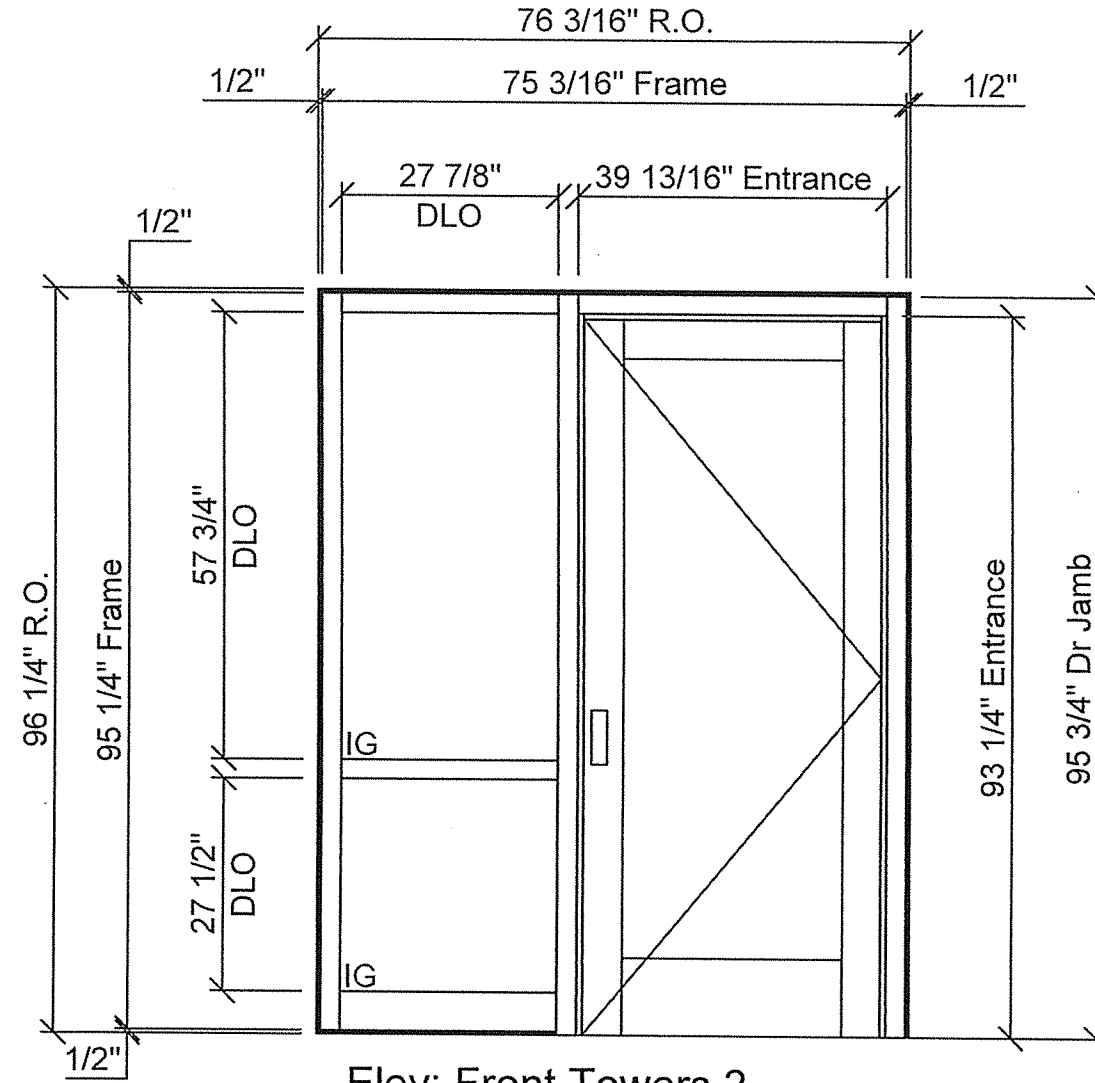
DRAWN BY: Kirk W. Vollmer	DATE: March 3, 2023	PROJECT: South Bend Airport	Rev.	DESCRIPTION	Date
REVIEWED BY: Patrick Wernitz	DATE: March 3, 2023	LOCATION: South Bend, IN General Contractor/Manager: N/A Architect: JPR	1	SUBMITTAL	March 3, 2023
Scale: 3/8" = 1'	SHEET NO: 11	FRAMING SYSTEM: Tubelite 400 Series Curtainwall - 2 1/2" x 6"			





Elev: Front Towers 1  
1-Thus  
Tubelite 400 Curtainwall

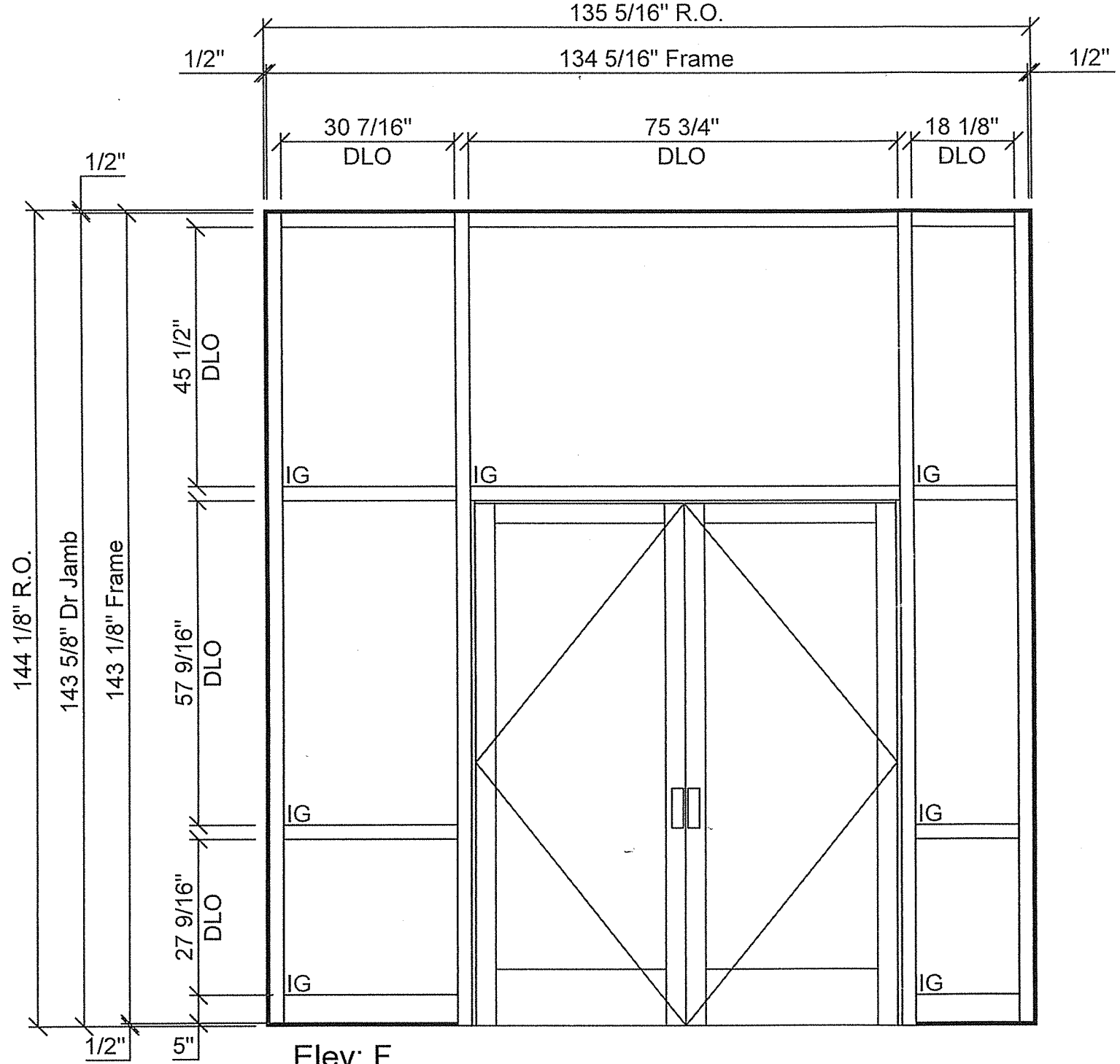
OK  
V.T.  
3/29/23



Elev: Front Towers 2  
1-Thus  
Tubelite 400 Curtainwall

OK  
V.T.  
3/24/23

DATE:	March 3, 2023	PROJECT:	South Bend Airport	Rev.		DESCRIPTION		Date	
DRAWN BY:	Kirk W. Vollmer	LOCATION:	South Bend, IN	1		SUBMITTAL		March 3, 2023	
REVIEWED BY:	Patrick Wernitz	General Contractor/Manager:	N/A						
Scale:	3/8" = 1'	Architect:	JPR						
SHEET NO.:	12	FRAMING SYSTEM:	Tubelite 400 Series Curtainwall - 2 1/2" x 6"						

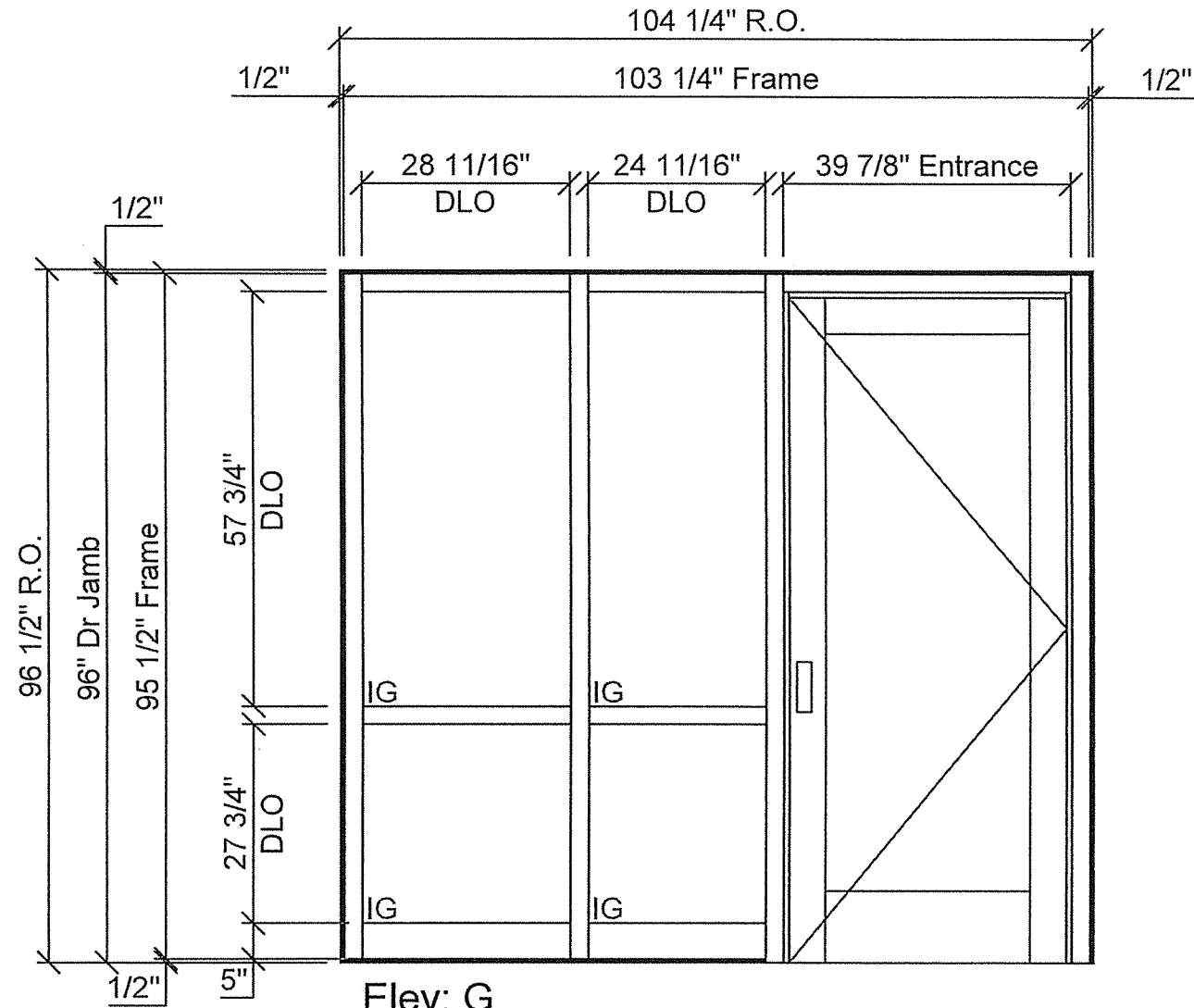


Elev: F  
 1-Thus  
 Tubelite 400 Curtainwall

*OK  
 V.T.  
 3/29/23*

DATE:	PROJECT:	Rev.	DESCRIPTION	Date
March 3, 2023	South Bend Airport	1	SUBMITTAL	March 3, 2023
March 3, 2023	South Bend, IN			
	General Contractor/Manager:			
	N/A			
	Architect:			
	JPR			
	FRAMING SYSTEM:			
	Tubelite 400 Series Curtainwall - 2 1/2" x 6"			

DRAWN BY: Kirk W. Vellmer  
 REVIEWED BY: Patrick Wernitz  
 Scale: 1/2" = 1'  
 SHEET NO: 7

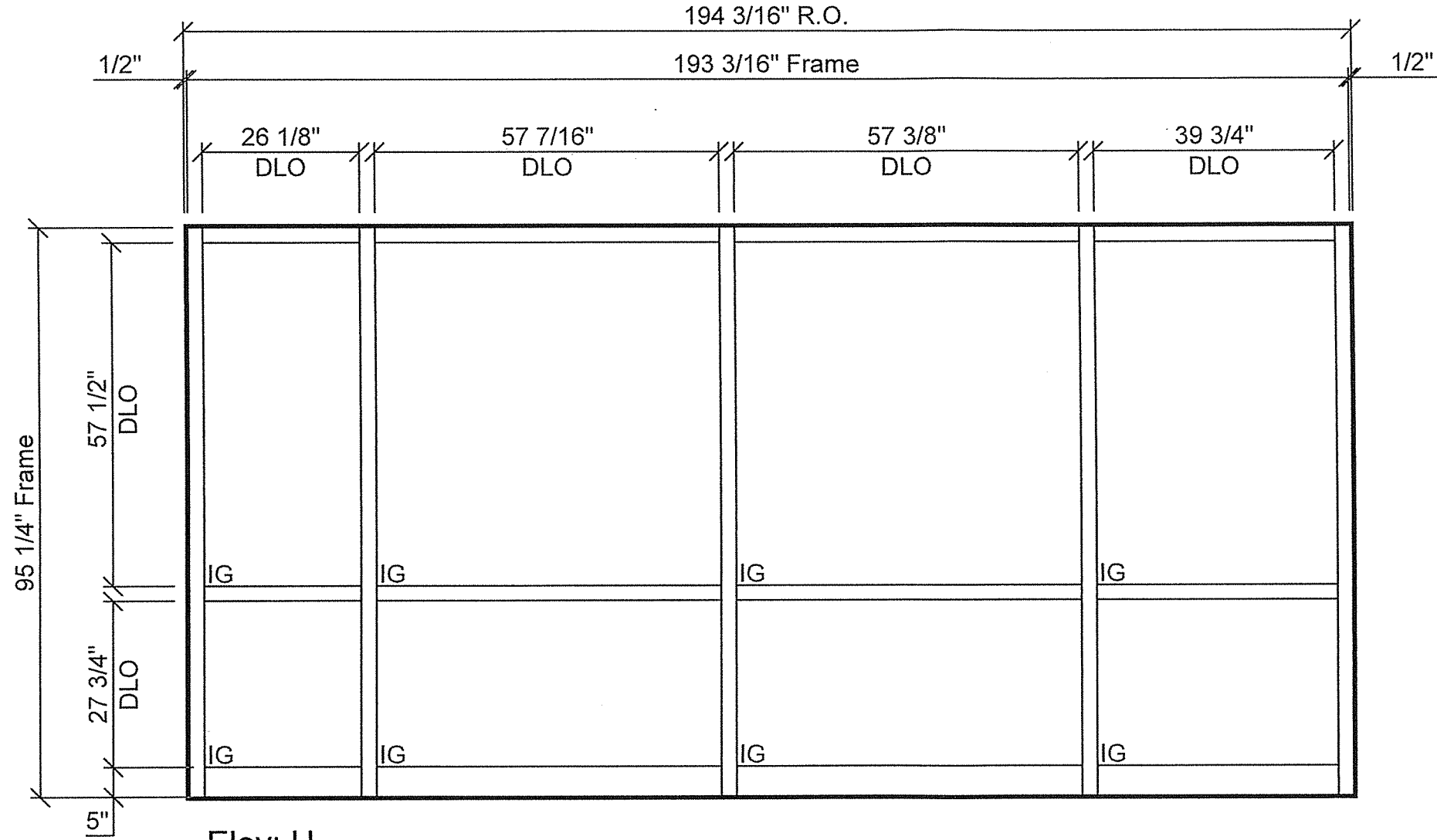


Elev: G  
 1-Thus  
 Tubelite 400 Curtainwall

*OK  
 JT  
 3/29/23*

DATE:	March 3, 2023	PROJECT:	South Bend Airport	Rev.		DESCRIPTION		Date	
DRAWN BY:	Kirk W. Vollmer	LOCATION:	South Bend, IN	1		SUBMITTAL		March 3, 2023	
REVIEWED BY:	Patrick Wermiz	General Contractor/Manager:	N/A						
Scale:	1/2" = 1'	Architect:	JPR						
SHEET NO:	8	FRAMING SYSTEM:	Tubelite 400 Series Curtainwall - 2 1/2" x 6"						





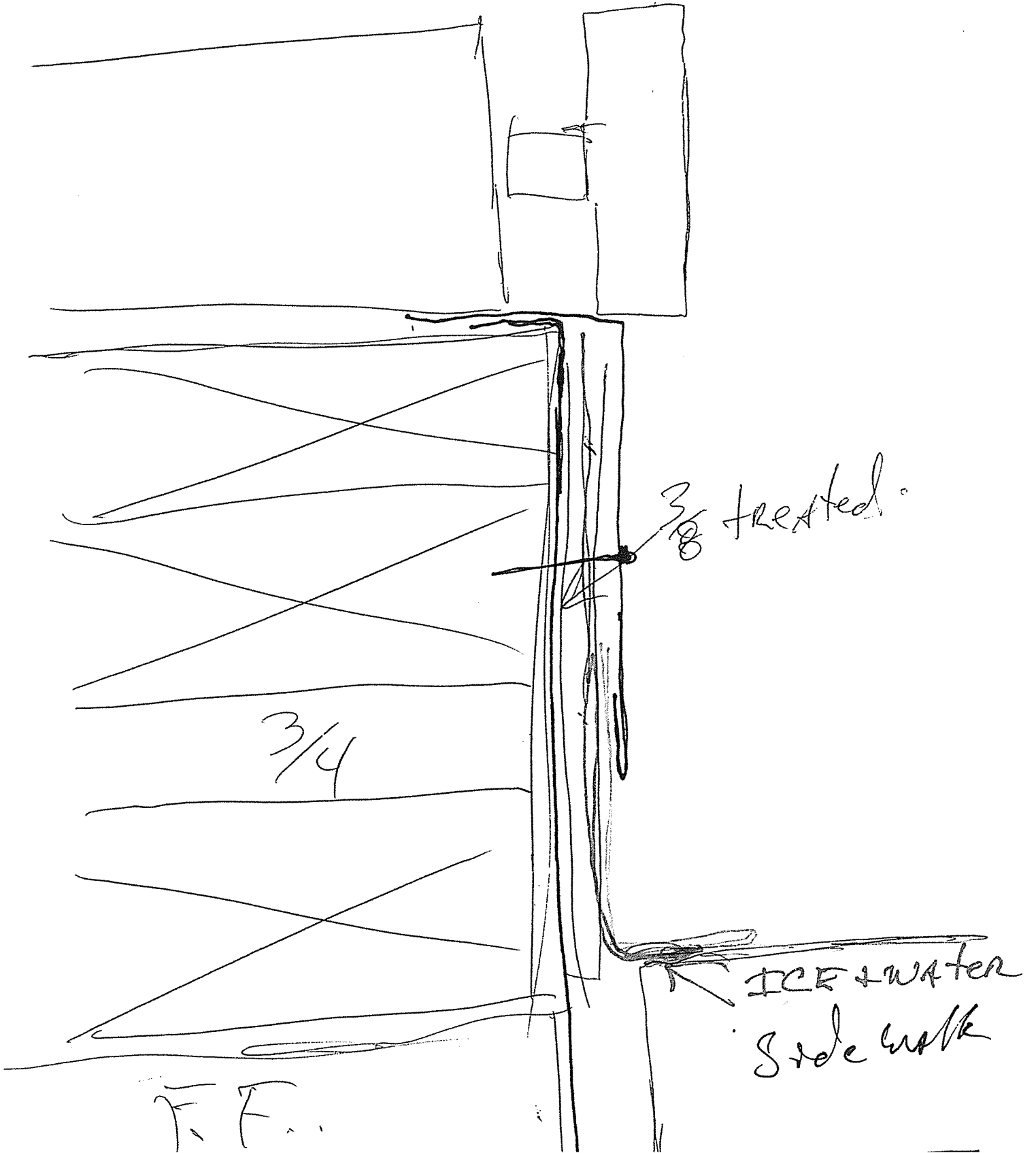
Elev: H  
 1-Thus  
 Tubelite 400 Curtainwall

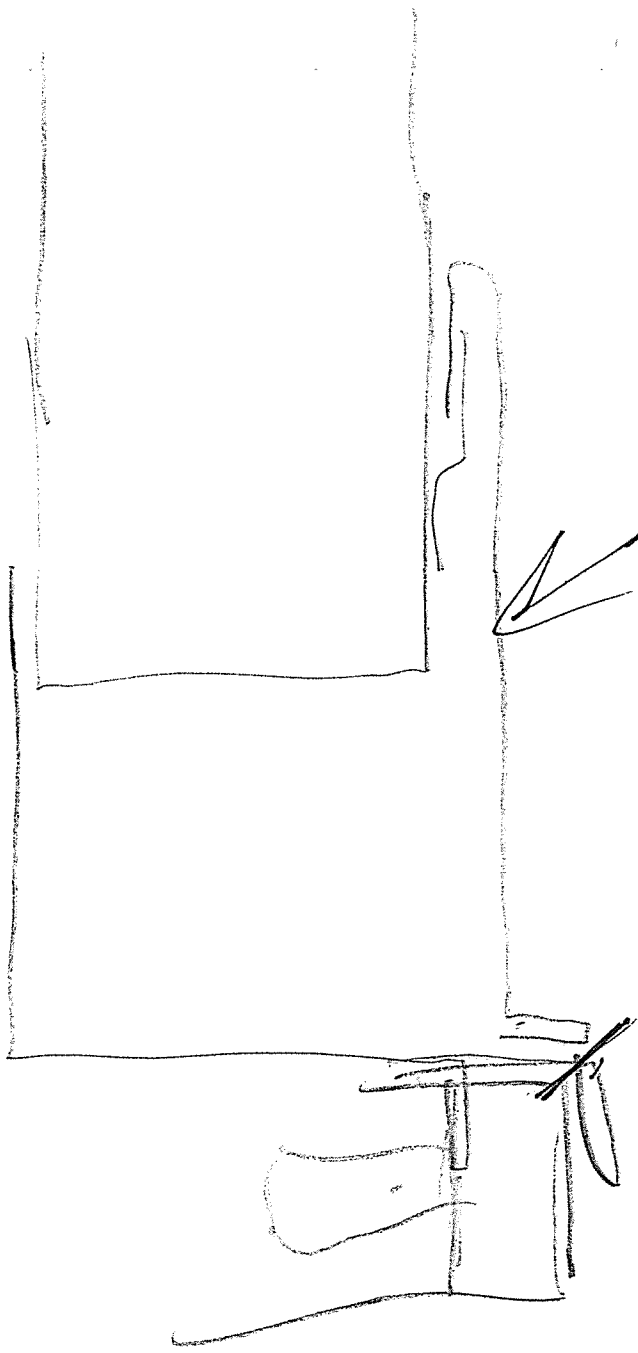
OK  
 JT  
 3/29/23

DATE	DESCRIPTION	Rev.	Date
March 3, 2023	SUBMITTAL	1	March 3, 2023

DRAWN BY: Kirk W. Vellmer	PROJECT: South Bend Airport
REVIEWED BY: Patrick Wernitz	LOCATION: South Bend, IN
Scale: $\frac{1}{2}'' = 1'$	General Contractor/Manager: N/A
SHEET NO: 9	Architect: JPR
FRAMING SYSTEM: Tubelite 400 Series Curtainwall - 2 1/2" x 6"	



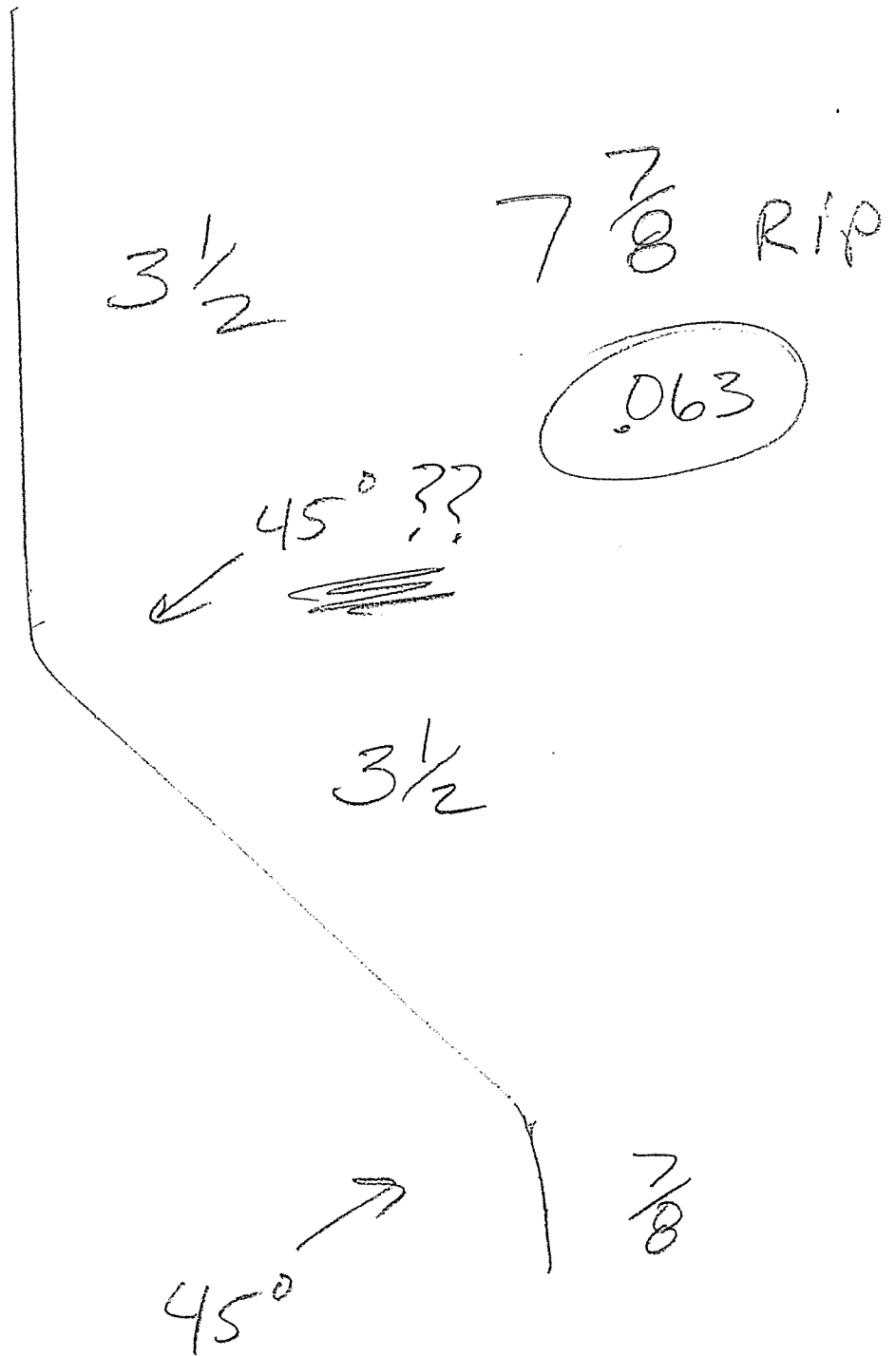


Remove  
this face

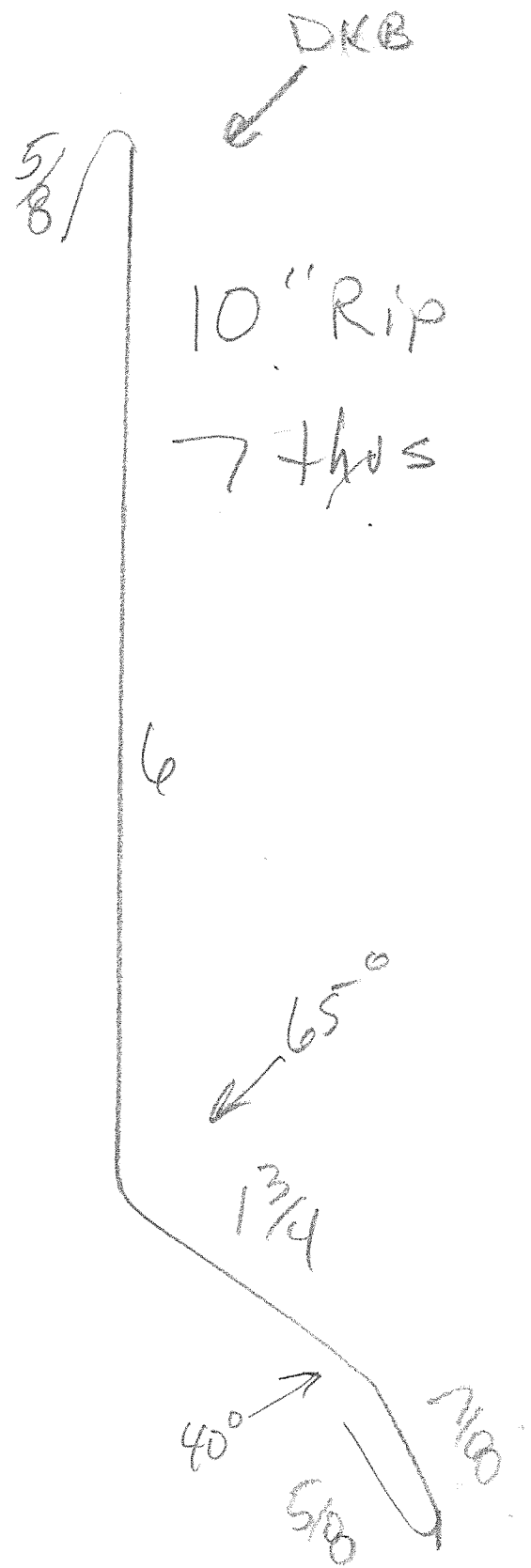
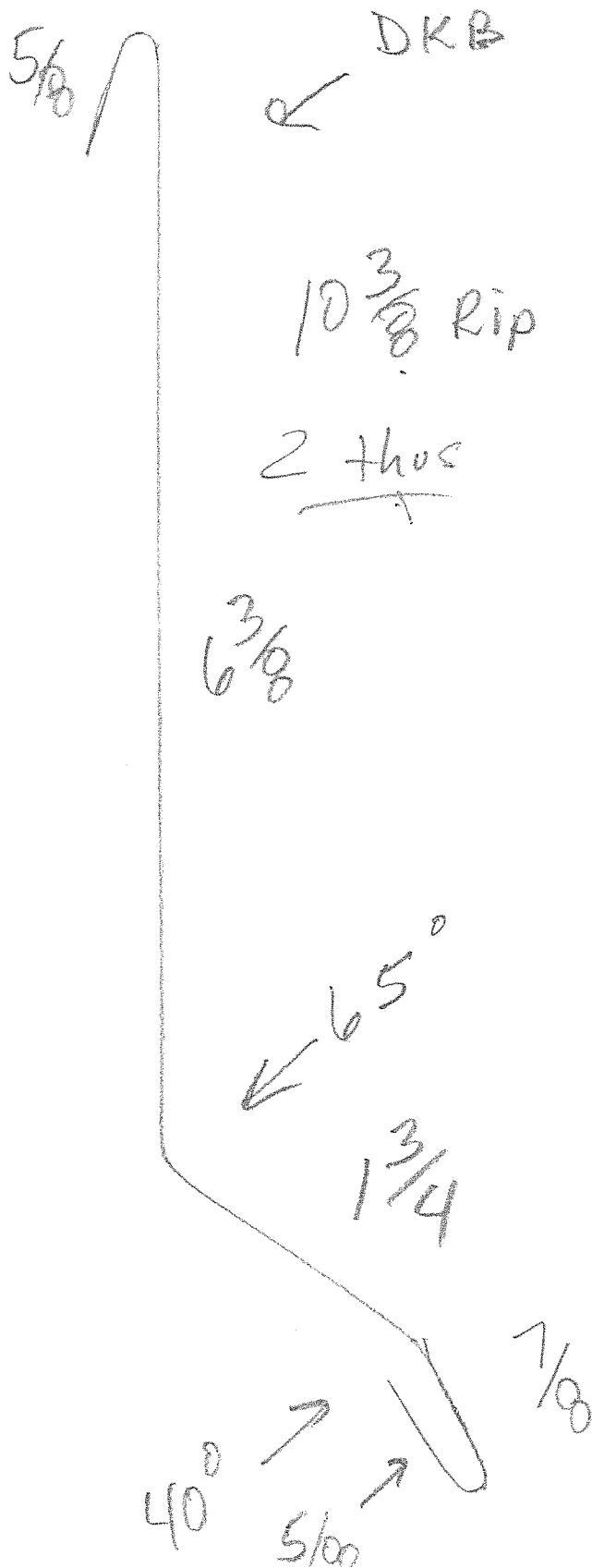
cut  
lip off

Airport

Back member



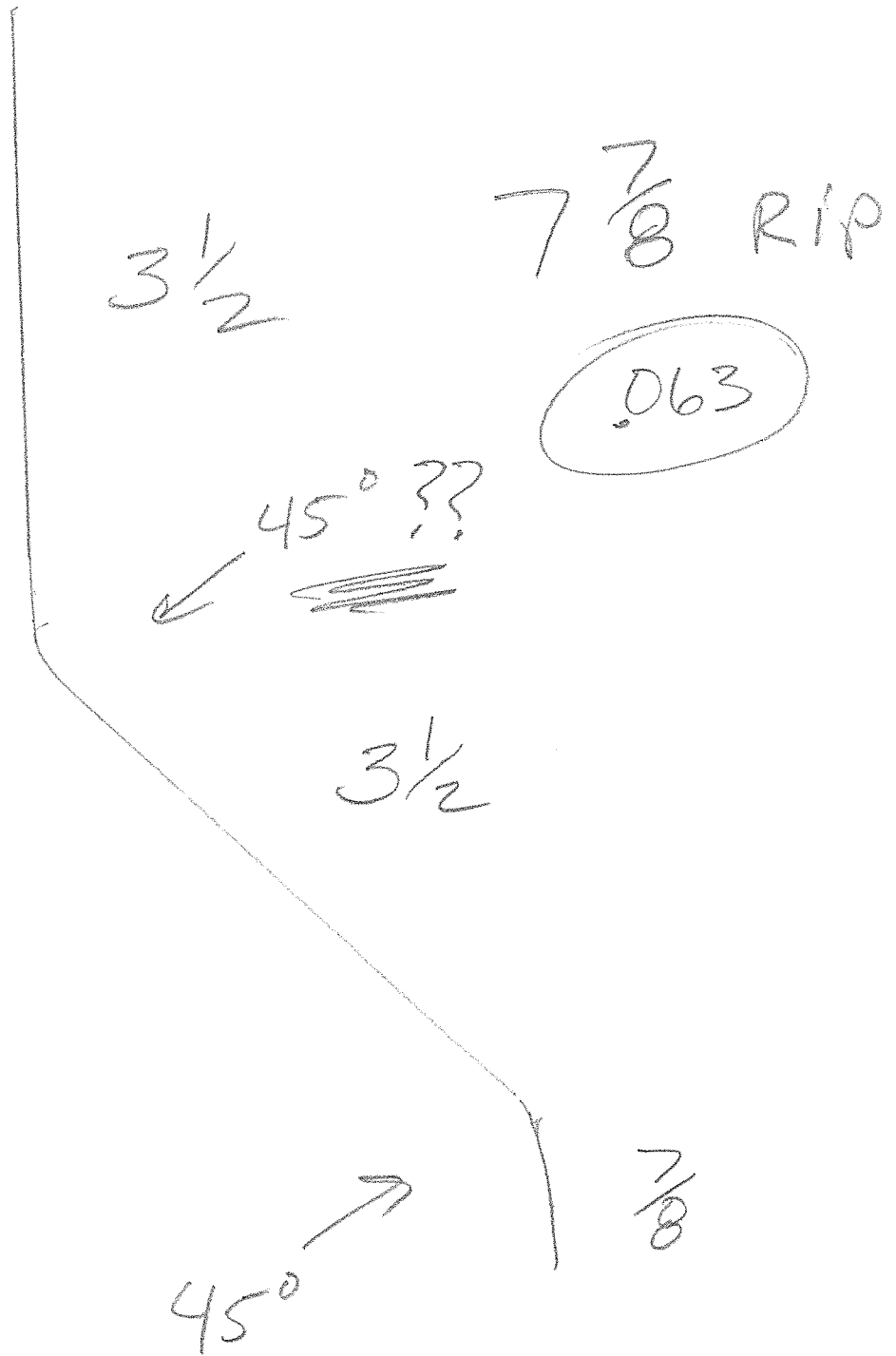
# Airport Front Face





Airport

Back member



20 of EA

80 Hrs

